



CCA19-7437

Pneumatic Carton Stapler



OPERATING & MAINTENANCE MANUAL

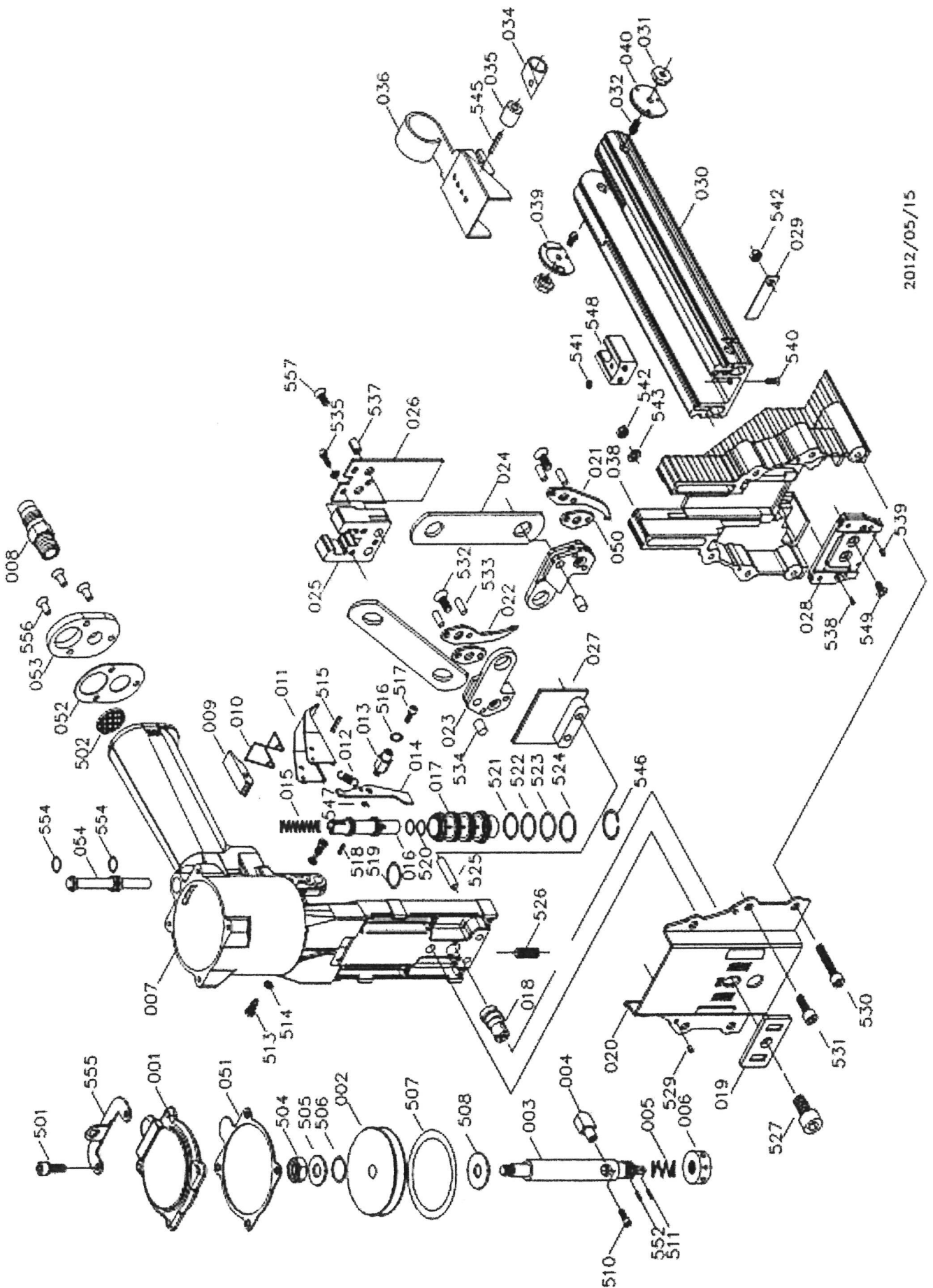


WARNING

BEFORE USING THIS TOOL, STUDY THIS MANUAL TO ENSURE SAFETY WARNING AND INSTRUCTIONS.

KEEP THESE INSTRUCTIONS WITH THE TOOL FOR FUTURE REFERENCE.

MARCH 2021



2012/05/15

Item	Part No.		Part Name	QTY	Remark	Item	Part No.		Part Name	QTY	Remark
001	XM10146		CAP	1	NO MARK	505	XM10191	BAT03061	WASHER	1	1/4" x 5/8" x IT
002	XM10147	A02800201	PISTON	1		506	XM10059	BAB017076	O-RING	1	Ø 1.78 x Ø 7.65
003	XM10148	A02800301	PISTON ROD	1		507	XM10193	BAB057476	O-RING	1	Ø 5.3 x Ø 43.82
004	XM10149	A00100401	BLOCK	1		508	XM10194	A00104101	WASHER	1	Ø 8 x Ø 23 x 1.6T
005	XM10150	A00100501	SPRING	1		510	XM10195	BAC0404062	HEX.SOC.HD.BOLT	1	M4 x 0.7- 10
006	XM10151	A00100601	COLLAR	1		511	XM10196	BAA025014	SPRING PIN	1	Ø 2.5-14
007	XM10152		BODY UNIT	1		513	XM10197	A00104401	TRIGGER SCREW	2	M4 x 0.7-7
008		94220	AIR PLUG	1		514	XM10198	BAE01042	SPRING WASHER	2	M4
009	XM10153	A00100902	BLOCK	1		515	XM10199	BAA030020	SPRING PIN	1	Ø 3-20
010	XM10154	A00101001	SPRING	1		516	XM10200	BAE02042	OUTSIDE TEETH WASHER	1	M4
011	XM10155	A00101101	TRIGGER	1		517	XM10201	BAC0404102	HEX.SOC.HD.BOLT	1	M4 x 0.7-10
012	XM10156	A00101201	SPRING	1		518	XM10202	BAA030010	SPRING PIN	1	Ø 3-10
013	XM10157	A00101301	ROD	1		519	XM10203	BAB017124	O-RING	1	Ø 1.78 x Ø 12.42
014	XM10158	A00101402	TRIGGER'S CONTROL	1		520	XM10059	BAB017076	O-RING	2	Ø78 x Ø7.65
015	XM10159	A00101501	SPRING	1		521	XM10204	BAB016145	O-RING	1	Ø 1.6 x Ø 14.5
016	XM10495	A00101601	VALVE	1		522	XM10205	BAB016150	O-RING	1	Ø 1.6 x Ø 15
017	XM10161	A00101702	TUBE	1		523	XM10206	BAB016155	O- RING	1	Ø 1.6 x Ø 15.5
018	XM10162	A00101801	ADJUSTING ROD	1		524	XM10207	BAB016160	O-RING	1	Ø 1.6 x Ø 16
019	XM10163	A00101901	ADJUSTING PLATE	1		525	XM10208	A00104701	ROD	2	Ø 4.85- 17.5
020	XM10164	A00102001	FRONT PLATE	1		526	XM10209	BAC0306142	HEX.SOC.HDLESS.	1	M6 x 1-14
021	XM10165	A00102102	RIGHT TEETH	1	19MM	527	XM10210	BAC0408162	HEX.SOC.HD.BOLT	1	M8 x 1.25 - 16
022	XM10166	A00102202	LEFT TEETH	1	19MM	529	XM10381	BAA030010	SPRING PIN	4	Ø 3 - 10
023	XM10167	A01200601	TEETH SEAT	2		530	XM10716	BAC0405502	HEX.SOC.HD.BOLT	2	M5 x 0.8-50
024	XM10168	A00102401	PLATE	2		531	XM10717	BAC0405302	HEX.SOC.HD.BOLT	4	M5 x 0.8-30
025	XM10169	A00102502	BLOCK	1		532	XM10213	BAC0205122	HEX.SOC.FLATCOUNTER	2	M5 x 0.8 - 12
026	XM10744	A00102605	DRIVER	1	19-34	533	XM10214	A00104501	PIN	4	Ø 3.96-13.6
027	XM10171	A00102703@	COVER UNIT	1		534	XM10215	A00104602	PIN	2	Ø 6.05-8
028	XM10747	A01201105P	DRIVER GUIDE UNIT	1	7437	535	XM10657	BAC0604102	HEX.SOC.HD.BOLT	2	M4 x 0.7-10
029	XM10173	A00102901	PLATE	2		537	XM10683	BAA060016	SPRING PIN	2	Ø 6- 16
030	XM10750	A00103009	MAGAZINE	1	9040, 7437	538	XM10718	BAC0102101	FLAT HD.SCREW	2	M2.6 x 0.45 - 10
031	XM10175	A00103102	ROD NUT	2		539	XM10719	BAA020006	SPRING PIN	2	Ø 2-6
032	XM10176	A00103203	ROD	2		540	XM10120	BAC0204202	HEX.SOC.FLAT COUNTER	1	M4 x 0.7-22
034	XM10177	A00103401	SPRING	1		541	XM10119	BAD01041	LOCK NUT	1	M4 x 0.7
035	XM10178	A00103501	ROLLER	1		542	XM10221	BAD01051	LOCK NUT	6	M5 x 0.8
036	XM10753	A00103712@	PUSHER UNIT	1	7437	543	XM10222	BAE03051	WASHER	4	Ø5.1 x Ø 12 x 0.8T
038	XM10180	A00103802	MAGAZINE SEAT	1		545	XM10223	BAA040016	SPRING PIN	1	Ø 4 - 16
039	XM10181	A00103903@	RIGHT PUSHER GUIDE	1		546	XM10224	BAF22002	C-RING	1	Ø 20
040	XM10182	A00103904@	LEFT PUSHER GUIDE	1		547	XM10225	BAF10252	E-RING	1	Ø 2.5
050	XM10183	A00105001	WASHER	2		548	XM10226	A00105601	BRACKET	1	
051	XM10184		WASHER	1		549	XM10227	BAC02040802	HEX. SOC. HD COUNTERSUNK HD. SCREW	2	M4 x 0.7-8
052	XM10185		WASHER	1		552	XM10228	A00104901	PLASTIC PIN	1	
053	XM10186		COVER	1		554	XM10229		O-RING	2	P6 Ø 1.9 x 5.8
054	XM10187		SHAFT	1		555	XM10230		COUNTER BALANCER HANGER	1	
501	XM10188	BAC0604142	HEX.SOC.HD.BOLT	4	M4 x 0.7-14	556	XM10231		HEX.SOC.FLAT COUNTER	3	M4 x 0.7- 10
502	XM10189	BAI1401	SILENCER	1		557	XM10232	BAC0204062	HEX. SOC'FLAT COUNTER SUNK HD. SCREW	1	M4 x 0.7-6
504	XM10190	BAD02061	HEX.NUT	1	M6 x 1"						

MOQ for items in the following categories is 10pcs
Order quantities under 10pcs for these items will be adjusted accordingly
1. O-rings - not included in the O-ring kits
2. Screws, bolts
3. Pins - roll pin, solid pins
4. Standard washers - not special washers.
5. Nuts